

# Single Port RJ45 Connector

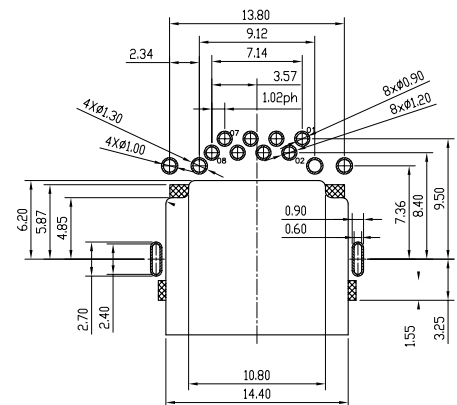
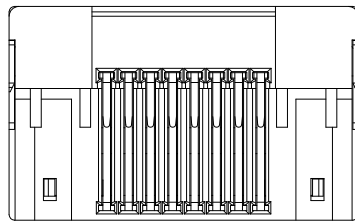
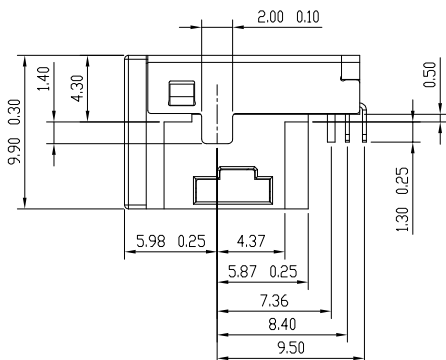
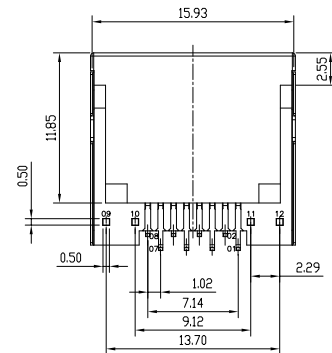
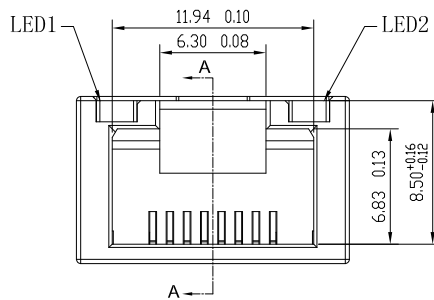
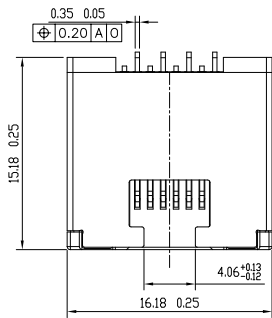
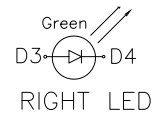
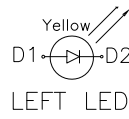
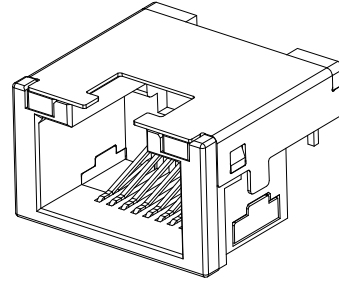
Coorle 库乐科技

## Electrical Characteristics :

- Insulation Resistance : 500MΩ Min.
- Contact Resistance : 50mΩ Max.
- Withstand Voltage : 1000 VAC 1 minute.
- Current Rating : 1.5A

## Material:

- Housing: Thermoplastic UL 94V-0
- Contact : Selective Gold Plating
- Terminal: 0.25mm Thickness Copper Alloy  
Plated With Gold And Tin In Solder Area.
- Shell: Alloy ,Nickel Plating
- Fork:Alloy



P. C. B RECOMMENDED HOLE LAYOUT SEEN FROM COMPONENT SIDE.  
ALL CENTERLINE DIMENSIONS ARE BASIC